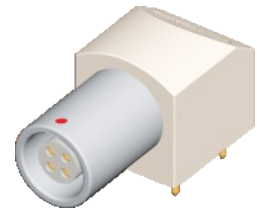
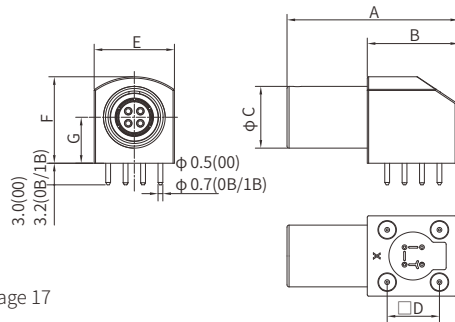


FKG Elbow Socket For Printed Circuit, Key(G)

- Connector series: FKG
- Contact: Female
- Key: G(More keys, refer to page 43)
- Locking type: Self-locking
- Orientation type: Angled
- Part No.: FKG.XB.XXX.HLN
- Mated with: PSG/PLG/PFG/PAG/PCG/PBG/PVG/MSG/PPG

Note: "X" refers to part number definition on page 17



General Information

Ambient temperature:	-55°C ~ + 250°C
Endurance:	>5000 cycles
Insulator:	PEEK
Connector contacts:	Brass with gold plated
Coupling nut/screw:	Brass with Cr plated

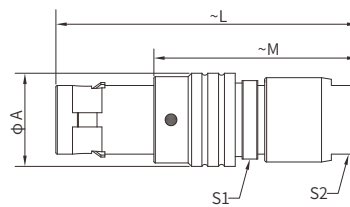
Housing:	Brass with Cr plated
Insulator resistance:	≥100MΩ
IP rating:	IP 50
Shielding efficiency:	at 10MHz>75dB/at 1GHz>40dB
Salt spray corrosion test:	>144h

Size	Dimensions(mm)						
	A	B	C	D	E	F	G
00	19.0	8.7	6.8	5.08	7.1	7.0	3.5
0B	25.0	13.3	9.0	7.62	11.7	12.7	6.7
1B	27.0	13.3	11.0	7.62	12.6	14.0	7.5

PDG Straight Plug, Short Version, Key(G)

- Connector Series: PDG
- Contact: Male
- Key: G(More keys, refer to page 43)
- Locking type: Self-locking
- Orientation type: Straight
- Part No.: PDG.XB.XXX.CLADXX
- Mated with: FSG/SFG/SRG/SEG/FBG/PRG/ASG

Note: "X" refers to part number definition on page 17



General Information

Ambient temperature:	-55 °C ~ + 250°C
Endurance:	>5000 cycles
Insulator:	PEEK
Connector contacts:	Brass with gold plated
Coupling nut/screw:	Brass with Cr plated

Housing:	Brass with Cr plated
Insulator resistance:	≥100MΩ
IP rating:	IP 50
Shielding efficiency:	at 10MHz>75dB/at 1GHz>40dB
Salt spray corrosion test:	>144h

Size	Dimensions(mm)				
	A	L	M	S1	S2
0B	9.5	32.0	22.0	8.0	7.0